

URC II & URC II mini

Universal Reactor Controller



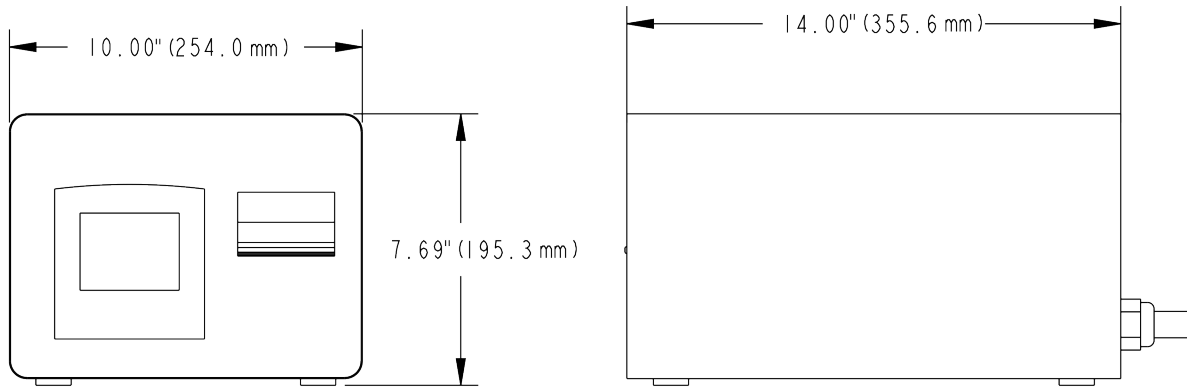
Principle of Operation:

The URC II and URC II Mini Controllers are an integrated package utilizing a Programmable Logic Controller (PLC) for all process control, monitoring and coordination in conjunction with a touch screen operator display unit. The URC II and URC II Mini provide the operator with a concise point of control for all processes related to a reactor system. The unit controls and monitors the reactor's external and internal temperatures, the speed of the impeller, and the pressure within the reactor.

Features and Benefits:

- Electric Heat Control
- 3-1/2" Diagonal Color Touchscreen user interface
- Two (2) Type 'K' Thermocouples degree C or degree F readout
- Non-Latching overtemp control action
- Closed Loop DC motor speed control
- Pressure Indication Range up to 689 bar (10000 psi). [Set at 0 "zero" at factory, user adjustable in the field.]
- RJ11 connector for RS232 communication
- CE marked
- UL/CUL listed
- Can be used for all Parker Autoclave units, from 50 ml to 4,000 ml volumes.

Drawing Details:



Ordering Information:

Product	Product Description	Part Number	Supported Vessels
URC II	240 VAC, 30 A, Single Phase	URC-II	500-4000ml
URC II Mini	120 VAC, 15 A, Single Phase	URC-II-Mini-120	300ml and below
	240 VAC, 15 A, Single Phase	URC-II-Mini-240	