

Kuentzel Closure

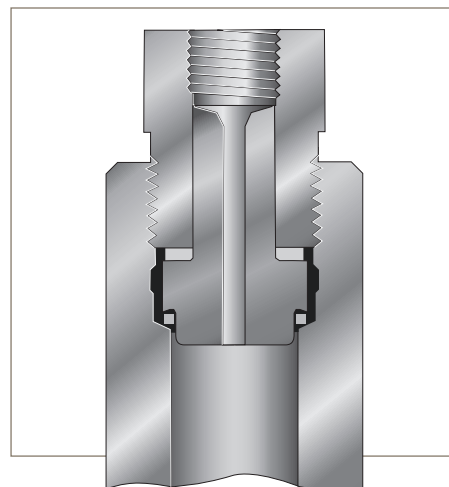
Pressure Vessel

Volume: 103 ml to 206 ml

Vessel MAWP*: 11,000 psi @ 100°F (758.4 bar @ 38°C)

Material of Construction: 316 Stainless Steel

* Maximum Allowable Working Pressure



Principle of Operation:

Parker Autoclave Engineers' Kuentzel closure pressure vessel is a reliable and cost efficient reactor in smaller capacity applications requiring elevated pressure operation at higher temperatures.

The four-piece Kuentzel closure design is relatively simple and easy to clean and make up. Metal-to-metal sealing is achieved with 300 series stainless steel or copper gasket, (please specify). Kuentzel vessels are offered in both single and double-ended configuration, the latter providing greater ease of cleaning.

MAWP (Design Pressure) vs. Temperature

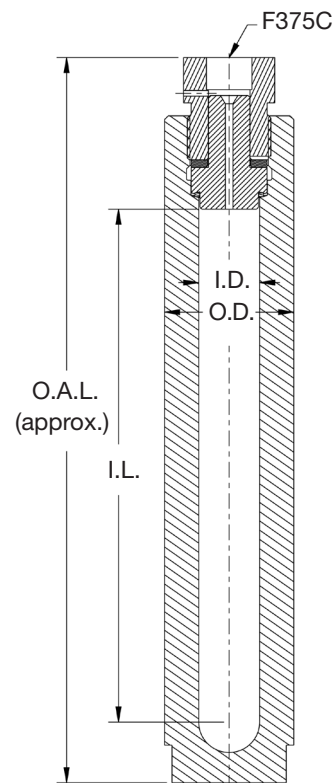
Temperature	°F (°C)	-20 to 100° (-29° to 38°)	200° (93°)	400° (204°)	600° (316°)	800° (427°)	1000° (538°)	1100° (593°)	1200° (649°)
Pressure	PSI (bar)	11,000 (758)	10,600 (730)	9,600 (661)	9,500 (655)	9,000 (620)	8,200 (565)	5,800 (399)	3,600 (248)

- Maximum Recommended Operating Pressure (MROP) varies based on gauge, transducer, and rupture disk selection.
- A286 Thrust Ring used above 800°F (427°C)
- Recommended Main Nut torque = 90 ft-lbs
- Maximum Main Nut torque = 120 ft-lbs

Single Ended Series KC

Model Part Number	Nominal Capacity	Dimensions: Inches (mm)				Drawing
		ID	OD	IL	OAL	
KC10.3SS11 Single Ended	103 ml	1.00" (25)	2.13" (54)	8.45" (214)	12.00" (304)	20C-2763
KC20.6SS11 Single Ended	206 ml	1.00" (25)	2.13" (54)	16.45" (417)	20.00" (508)	

Series KC Single Ended units can be ordered with inside lengths from 17" to 24" (432 to 610)



Double Ended Series KD

Model Part Number	Nominal Capacity	Dimensions: Inches (mm)				Drawing
		ID	OD	IL	OAL	
KD10.3SS11 Double Ended	103 ml	1.00" (25)	2.13" (54)	7.92" (201)	13.00" (330)	20C-2764
KD19.3SS11 Double Ended	193 ml	1.00" (25)	2.13" (54)	14.92" (378)	20.00" (508)	
KD20.6SS11 Double Ended	206 ml	1.00" (25)	2.13" (54)	15.92" (404)	21.00" (533)	

Series KD Double Ended units can be ordered with inside lengths from 17" to 30" (432 to 762)

Features and Available Options:

- ASME Code Stamp, CRN Registration, PED
- Consult factory to discuss your specific requirements

